



# BURGESS-MANNING

Burgess-Manning, Inc., Subsidiary of Nitram Energy, Inc.

227 Thorn Avenue, Orchard Park, NY 14127

Phone: (716) 662-6540 Fax: (716) 662-6548 Website: www.burgess-manning.com

## MODEL BMBJ - Blower Intake Silencer

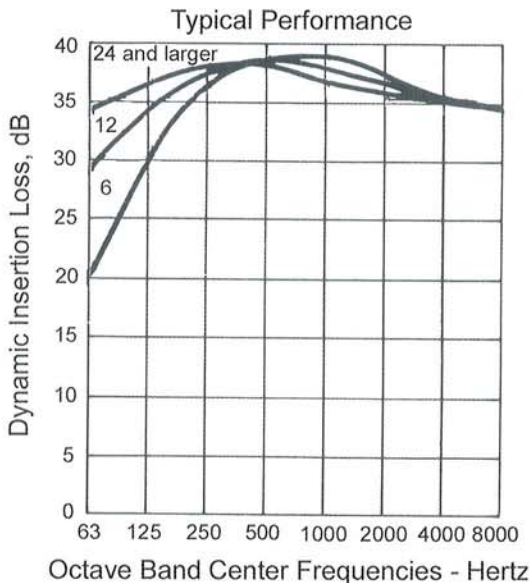
### Burgess-Manning Above Transition Speed Blower Intake Silencer

#### Description:

Burgess-Manning combination chambered reactive/absorptive type blower intake silencers are specifically designed to provide ideal noise reduction at blower speeds above transition speed.

#### Features:

- Noise reduction up to 35 dB
- Economically priced
- Long service life
- All welded steel construction for explosion resistant service



#### Specifications:

<b>Maximum Noise Attenuation:</b>	35 dB
<b>Typical Sizes:</b>	2" - 36" Larger Sizes Available Upon Request
<b>Standard End Connections:</b>	NPT or 125# ANSI Flanged
<b>Standard Material of Construction:</b>	Carbon Steel Polyester Pack rated to 300 °F
<b>Finish:</b>	Prime Coated Exterior

Figure 1.0

Typical Burgess-Manning combination reactive/absorptive type silencer



#### Theory of Operation:

The Burgess-Manning patented principle used in the design of Burgess-Manning silencers involves passing the flow of gas through an acoustic absorptive section, then through an arrangement of ported tubes and snubbing chambers which attenuate the noise over a wide frequency range.



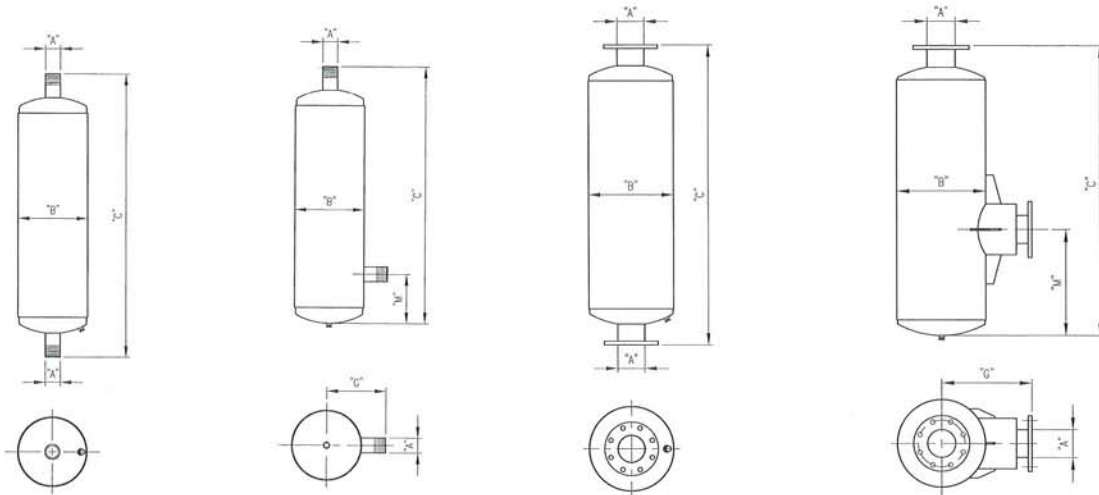
# BURGESS-MANNING

Burgess-Manning, Inc., Subsidiary of Nitram Energy, Inc.

227 Thorn Avenue, Orchard Park, NY 14127

Phone: (716) 662-6540 Fax: (716) 662-6548 Website: www.burgess-manning.com

## MODEL BMBJ - Blower Intake Silencer



BMBJ  
Sizes 2" Thru 5"

BMBJ-L  
Sizes 2" Thru 5"

BMBJ  
Sizes 6" and larger

BMBJ-L  
Sizes 6" and larger

Catalog Number	Dimensions in Inches							Estimated Weight in lbs.	
	All Models		BMBJ	BMBJ-L					
	A	B	C	C	G	M		BMBJ	BMBJ-L
						Min.	Max.		
BMBJ-2	2	8	33	30	9	6	10	28	33
BMBJ-2.5	2 1/2	10	33	31	10	7	11	55	45
BMBJ-3	3	10	51	49	12	7	11	80	55
BMBJ-4	4	14	53	50	14	8	17	140	125
BMBJ-5	5	16	65	62	15	9	20	200	180
BMBJ-6	6	18	72	69	17	10	24	280	220
BMBJ-8	8	22	68	65	26	12	26	380	400
BMBJ-10	10	26	81	78	34	14	33	620	600
BMBJ-12	12	30	88	85	40	16	37	920	940
BMBJ-14	14	30	100	97	48	17	40	1,100	1,200
BMBJ-16	16	36	120	117	54	19	44	1,600	1,800
BMBJ-18	18	42	127	124	60	21	46	2,400	2,500
BMBJ-20	20	42	139	136	66	22	47	2,550	2,600
BMBJ-22	22	48	158	156	72	24	48	3,250	3,300
BMBJ-24	24	54	164	163	72	26	54	3,480	4000

Notes: - Flanges are drilled to match 125 lb. American Standard Flanges  
 - Larger Units available upon request  
 - Specifications subject to change without notice

BMBJ-BI0903