



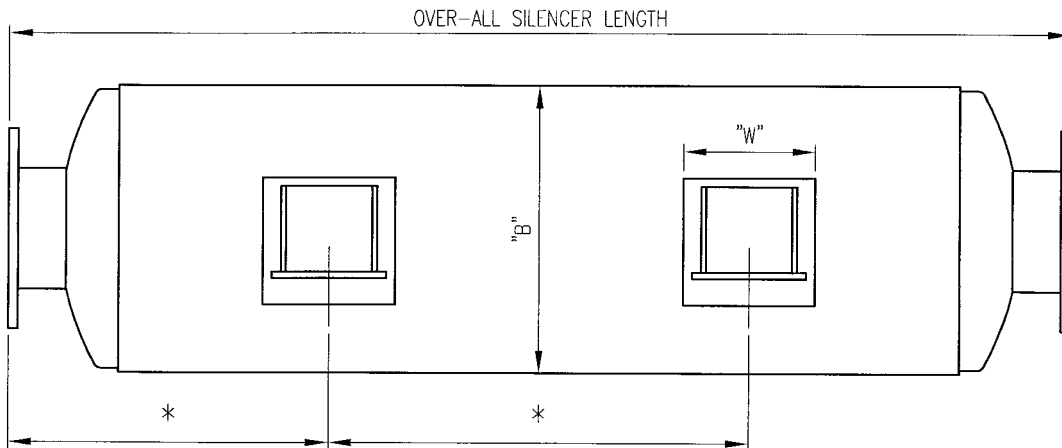
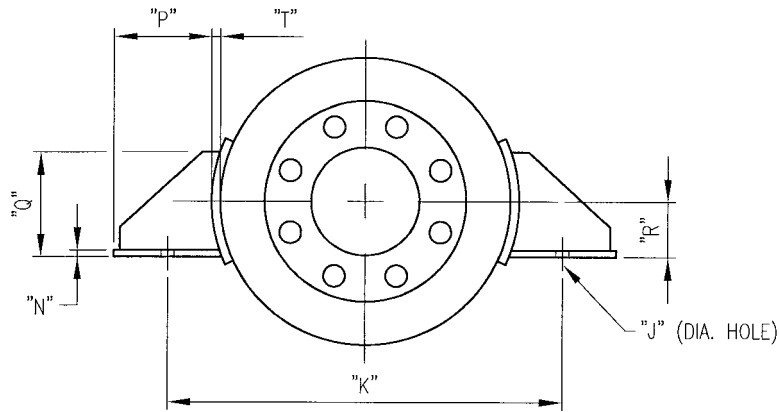
BURGESS-MANNING

Burgess-Manning, Inc., Subsidiary of Nitram Energy, Inc.

227 Thorn Avenue, Orchard Park, NY 14127

Phone: (716) 662-6540 Fax: (716) 662-6548 Website: www.burgess-manning.com

TYPE K - Horizontal Mounting Brackets



* DIMENSIONS TO BE SPECIFIED WHEN PLACING ORDER



BURGESS-MANNING

Burgess-Manning, Inc., Subsidiary of Nitram Energy, Inc.

227 Thorn Avenue, Orchard Park, NY 14127

Phone: (716) 662-6540 Fax: (716) 662-6548 Website: www.burgess-manning.com

TYPE K - Horizontal Mounting Brackets

DIMENSIONS IN INCHES

Part Number	B Silencer Dia.	W	J	K	L	N	T	P	Q	R	Estimated Weight Lbs. Per Bracket
901-0982-01-080	8	3	1/2	11	14	1/4	-	3	2-3/4	1-1/2	2
901-0982-02-100	10	3	5/8	13	16	3/8	1/4	3	2-7/8	1-1/2	3
901-0982-03-120	12	3	5/8	15	18	3/8	1/4	3	2-7/8	1-1/2	3
901-0982-04-140	14	4	3/4	18	20	3/8	1/4	3	3-7/8	1-1/2	4
901-0982-05-160	16	4	3/4	20	22	3/8	1/4	3	3-7/8	1-1/2	4
901-0982-06-180	18	4	3/4	22	26	3/8	1/4	4	3-7/8	1-1/2	4
901-0982-07-200	20	4	3/4	24	28	3/8	1/4	4	3-7/8	1-1/2	4
901-0982-08-220	22	4	3/4	26	30	3/8	1/4	4	3-7/8	1-1/2	4
901-0982-09-240	24	4	3/4	28	32	3/8	1/4	4	3-7/8	1-1/2	4
901-0982-10-260	26	4	1	30	34	1/2	3/8	4	4	1-1/2	7
901-0982-11-280	28	4	1	32	36	1/2	3/8	4	4	1-1/2	7
901-0982-12-300	30	4	1	34	38	1/2	3/8	4	4	3	7
901-0982-13-320	32	4	1	36	40	1/2	3/8	4	4	3	7
901-0982-14-360	36	4	1	40	44	1/2	3/8	4	4	3	7
901-0982-15-420	42	5	1-3/8	47	52	1/2	3/8	5	5	3	11
901-0982-16-480	48	5	1-3/8	53	58	1/2	3/8	5	5	3	11
901-0982-17-540	54	5	1-1/2	59	64	1/2	3/8	5	5	3	11

- Notes:
- All brackets are welded in place unless otherwise specified
 - Brackets of larger diameter silencers are available upon request
 - Specifications subject to change without notice