



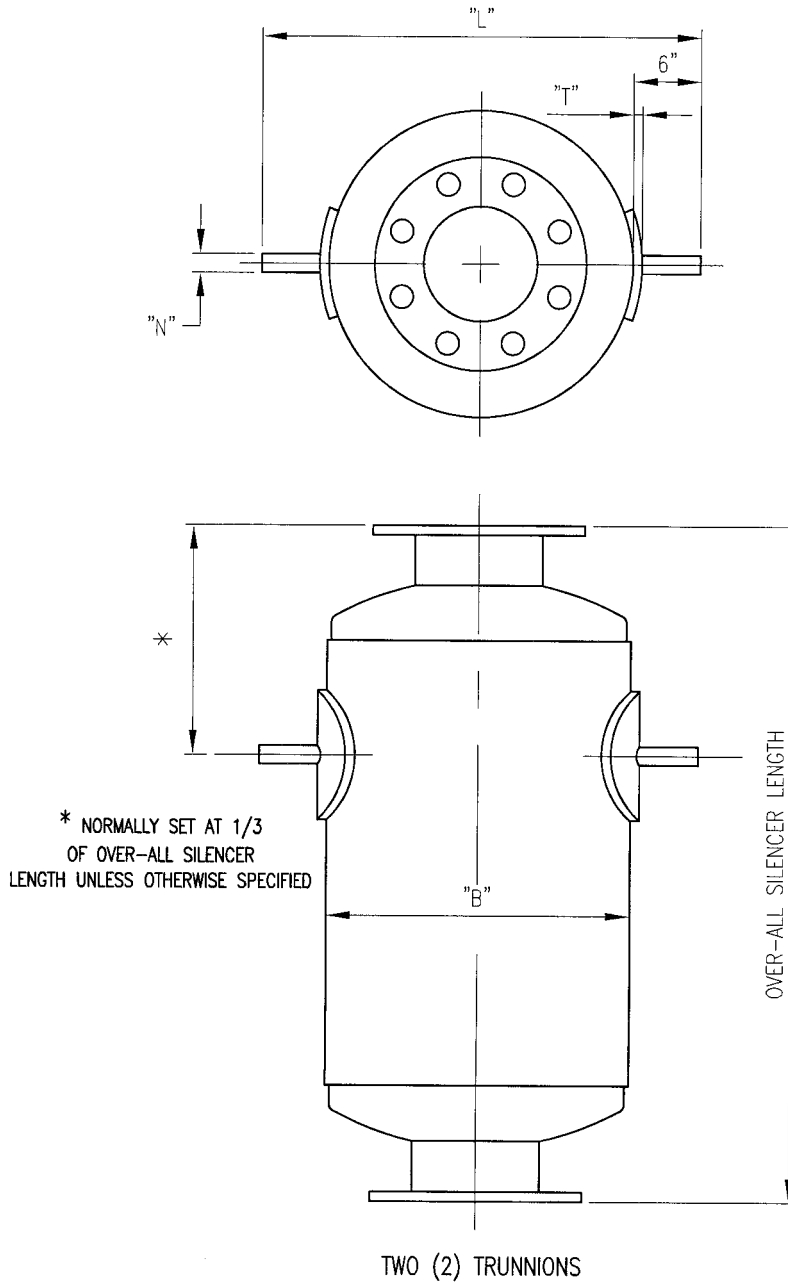
# BURGESS-MANNING

Burgess-Manning, Inc., Subsidiary of Nitram Energy, Inc.

227 Thorn Avenue, Orchard Park, NY 14127

Phone: (716) 662-6540 Fax: (716) 662-6548 Website: [www.burgess-manning.com](http://www.burgess-manning.com)

## TYPE T - Vertical Trunnion Mounts





# **BURGESS-MANNING**

*Burgess-Manning, Inc., Subsidiary of Nitram Energy, Inc.*

227 Thorn Avenue, Orchard Park, NY 14127

Phone: (716) 662-6540 Fax: (716) 662-6548 Website: [www.burgess-manning.com](http://www.burgess-manning.com)

## **TYPE T - Vertical Trunnion Mounts**

### **DIMENSIONS IN INCHES**

Part Number	B Silencer Dia.	W	L	N	T	Estimated Weight Lbs. Per Bracket
901-0967-00-180	18	6	30	2-3/8	1/4	7
901-0967-00-180	20	6	32	2-3/8	1/4	7
901-0967-00-180	22	6	34	2-3/8	1/4	7
901-0968-00-240	24	6	36	2-3/8	1/4	7
901-0968-00-240	26	6	38	2-3/8	1/4	7
901-0968-00-240	28	6	40	2-3/8	1/4	7
901-0969-00-300	30	6	42	2-3/8	1/4	7
901-0969-00-300	32	6	44	2-3/8	1/4	7
901-0970-00-360	36	12	48	3-1/2	3/8	24
901-0971-00-420	42	12	54	3-1/2	3/8	24
901-0972-00-480	48	12	60	3-1/2	3/8	24
901-0973-00-540	54	12	66	3-1/2	3/8	24
901-0974-00-600	60	18	72	4-1/2	1/2	51
901-0975-00-660	66	18	78	4-1/2	1/2	51
901-0976-00-720	72	18	84	4-1/2	1/2	51

- Notes:
- All trunnions are welded in place unless otherwise specified
  - Trunnions of larger diameter silencers are available upon request
  - Specifications subject to change without notice