



BURGESS-MANNING

Burgess-Manning, Inc., Subsidiary of Nitram Energy, Inc.

227 Thorn Avenue, Orchard Park, NY 14127

Phone: (716) 662-6540 Fax: (716) 662-6548 Website: www.burgess-manning.com

MODEL DPSC - Spark Arrester Silencer

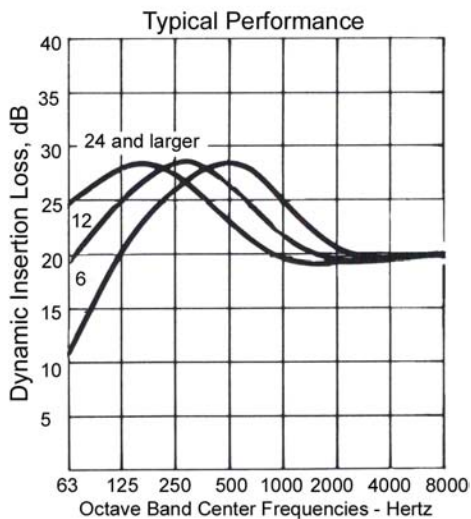
Burgess-Manning Spark Arrester Silencers for Reciprocating Engines in Marine Use

Description:

The Burgess-Manning DPSC spark arrester silencer is designed for use on any internal combustion engine in marine service or industrial locations where space is at a premium, and where lightweight and high spark arresting efficiency is essential.

Features:

- Noise reduction up to 30 dBA
- Economically priced
- Long service life
- Heavy-Gauge steel
- Double Wrapped Shell
- All welded steel construction for explosion resistant

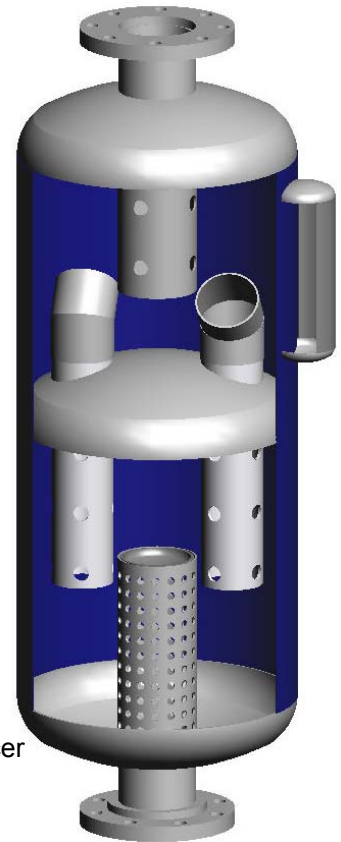


Specifications:

Maximum Noise Attenuation:	30 dBA
Typical Sizes:	1" - 48"
Standard End Connections:	NPT up to 3.5" 125# ANSI Flanged Above 4"
Standard Material of Construction:	Carbon Steel
Finish:	Prime Coated Exterior

Figure 1.0

Burgess-Manning model DPSC spark arrester silencer



Design:

Burgess-Manning spark arrester silencers remove sparks, soot, and solid matter while preventing noise instead of muffling it. When exhaust gases enter the silencer, a special stationary impeller whirls the gases to throw out all solid matter, and, at the same time, partially breaks up the exhaust slugs. Cleaning efficiency is high. Exhaust gases then enter the snubbing section in which the energy of the exhaust slug is further dissipated without interfering with the flow of low energy gases to the atmosphere.



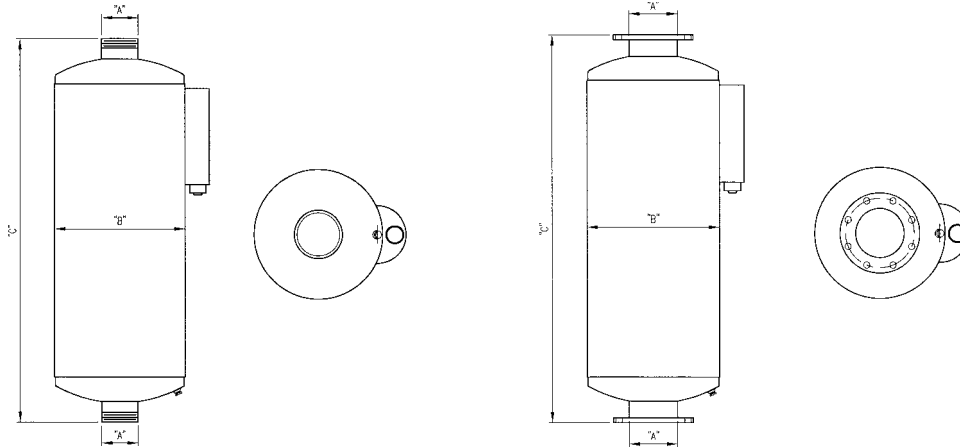
BURGESS-MANNING

Burgess-Manning, Inc., Subsidiary of Nitram Energy, Inc.

227 Thorn Avenue, Orchard Park, NY 14127

Phone: (716) 662-6540 Fax: (716) 662-6548 Website: www.burgess-manning.com

MODEL DPSC - Spark Arrester Silencer



Catalog Number	Dimensions in Inches			Estimated Weight in Lbs.
	A	B	C	
DPSC-1	1	4 1/2	19	6 3/4
DPSC-1 1/2	1 1/2	6 1/2	20	10
DPSC-2	2	8	20 1/2	15
DPSC-2 1/2	2 1/2	10	24	22 1/2
DPSC-3	3	10	26	30
DPSC-3 1/2	3 1/2	12	30	47
DPSC-4	4	14	31	52
DPSC-5	5	16	42	100
DPSC-6	6	18	42	140
DPSC-8	8	22	55	230
DPSC-10	10	26	57	340
DPSC-12	12	30	66	500
DPSC-14	14	36	78	1,145
DPSC-16	16	36	88	1,295
DPSC-18	18	42	98	1,680
DPSC-20	20	48	108	2,095
DPSC-22	22	48	120	2,520
DPSC-24	24	54	130	3,020
DPSC-26	26	60	140	3,625
DPSC-28	28	66	150	4,335
DPSC-30	30	66	170	5,685

Notes: - Flanges are drilled to match 125 lb. American Standard Flanges
 - Larger Units available upon request
 - Specifications subject to change without notice

DPSC-0903