



BURGESS-MANNING

Burgess-Manning, Inc., Subsidiary of Nitram Energy, Inc.
227 Thorn Avenue, Orchard Park, NY 14127
Phone: (716) 662-6540 Fax: (716) 662-6548 Website: www.burgess-manning.com

MODEL BMBAI-LH - Blower Intake Silencer

Burgess-Manning Below Transition Speed Blower Intake Silencer

Description:

The Burgess-Manning Model BMBAI-LH Blower Intake Silencer is designed to compliment the Burgess-Manning Model BPDR bedplate discharge silencer in below transition speed applications. In conjunction with the model BPDR, the Model BMBAI-LH provides the blower packager an easily assembled package with extremely low noise characteristics.

Features:

- Noise reduction up to 35 dB
- Economically priced
- Long service life
- All welded steel construction for explosion resistant service

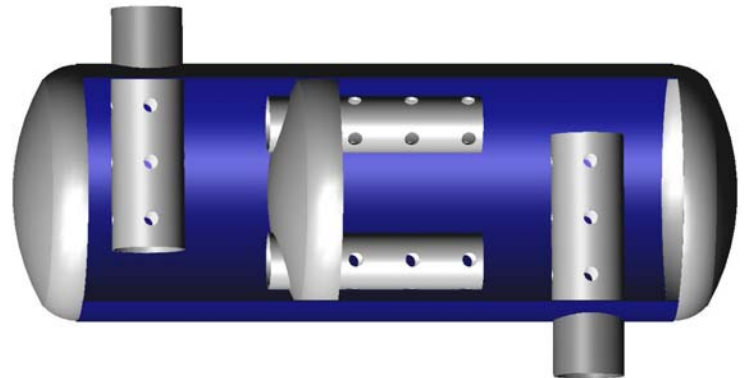
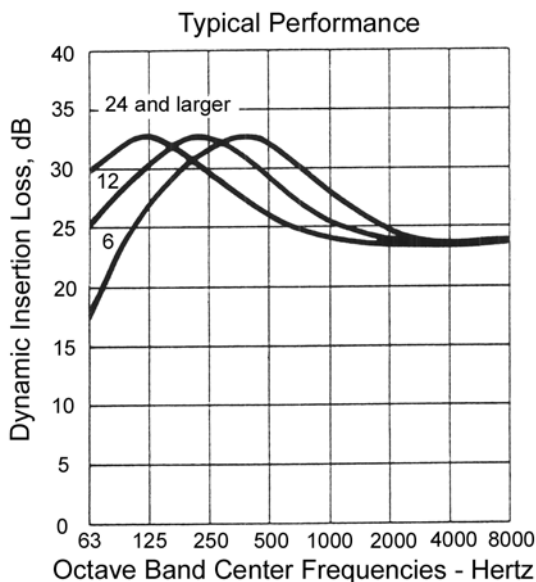


Figure 1.0
Typical Burgess-Manning
reactive type silencer

Specifications:

Maximum Noise Attenuation:	35 dB
Typical Sizes:	2" - 6"
Standard End Connections:	Plain, NPT or 125# ANSI Flanged
Standard Material of Construction:	Carbon Steel
Finish:	Prime Coated Exterior

Theory of Operation:

The Burgess-Manning patented principle used in the design of Burgess-Manning silencers involves passing gas or air flow through snubbing chambers. These snubbing chambers house an arrangement of ported tubes, which attenuates the noise to smooth, quiet flow.



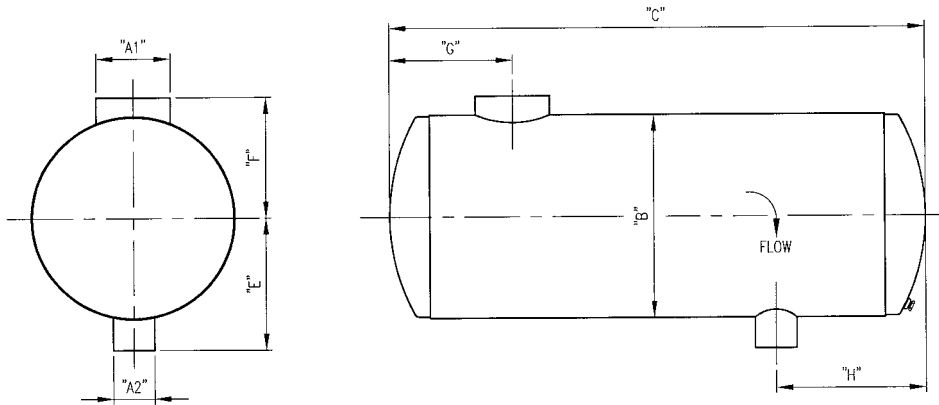
BURGESS-MANNING

Burgess-Manning, Inc., Subsidiary of Nitram Energy, Inc.

227 Thorn Avenue, Orchard Park, NY 14127

Phone: (716) 662-6540 Fax: (716) 662-6548 Website: www.burgess-manning.com

MODEL BMBAI-LH - Blower Intake Silencer



Catalog Number	Dimensions in Inches									Estimated Weight in lbs.
	A ₁	A ₂	B	C	E	F	G	H		
								Min.	Max.	
BMBAI-LH-1.5	1 1/2	1 1/2	6 1/2	21	6	4	5 1/2	4	8	17
BMBAI-LH-2	2	2	8	27	7	4 1/2	7	6	10	23
BMBAI-LH-2.5	2 1/2	2 1/2	10	28	8	5 1/2	7	6	10	32
BMBAI-LH-3	3	3	10	46	8	5 1/2	9	6	10	53
BMBAI-LH-4	4	4	14	47	11	8	9	7	24	99
BMBAI-LH-5	5	5	16	59	12	9	11	8	28	145
BMBAI-LH-6	6	6	18	66	13	12	11	9	34	195

- Notes:
- Larger Units available upon request
 - Specifications subject to change without notice
 - Standard inlet connections FNPT
 - Standard outlet connections plain