



BURGESS-MANNING

Burgess-Manning, Inc., Subsidiary of Nitram Energy, Inc.
227 Thorn Avenue, Orchard Park, NY 14127
Phone: (716) 662-6540 Fax: (716) 662-6548 Website: www.burgess-manning.com

MODEL BMBA - Blower Discharge Silencer

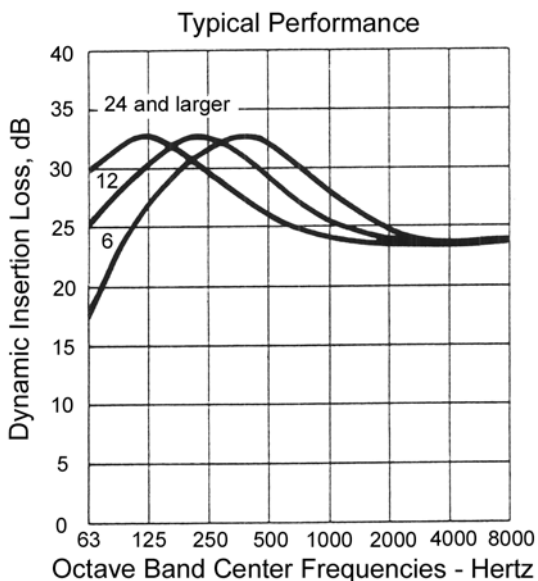
Burgess-Manning Below Transition Speed Blower Discharge Silencer

Description:

Burgess-Manning chambered reactive type blower discharge silencers are specifically designed to provide ideal noise reduction at blower speeds below transition speed.

Features:

- Noise reduction up to 35 dB
- Economically priced
- Long service life
- All welded steel construction for explosion resistant service

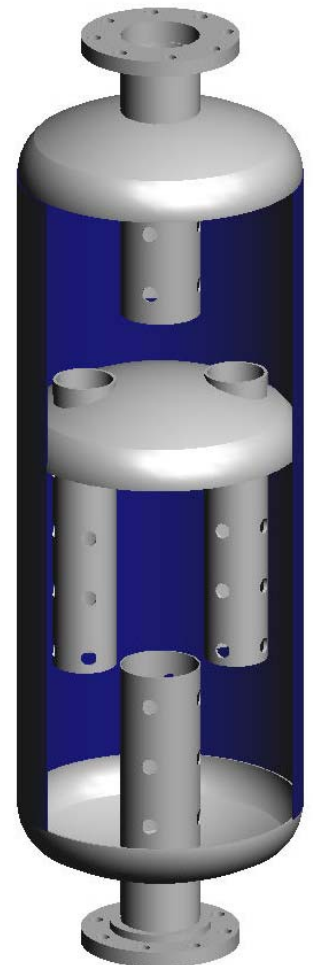


Specifications:

Maximum Noise Attenuation:	35 dB
Typical Sizes:	1" - 24" Larger Sizes Available Upon Request
Standard End Connections:	NPT or 125# ANSI Flanged
Standard Material of Construction:	Carbon Steel
Finish:	Prime Coated Exterior

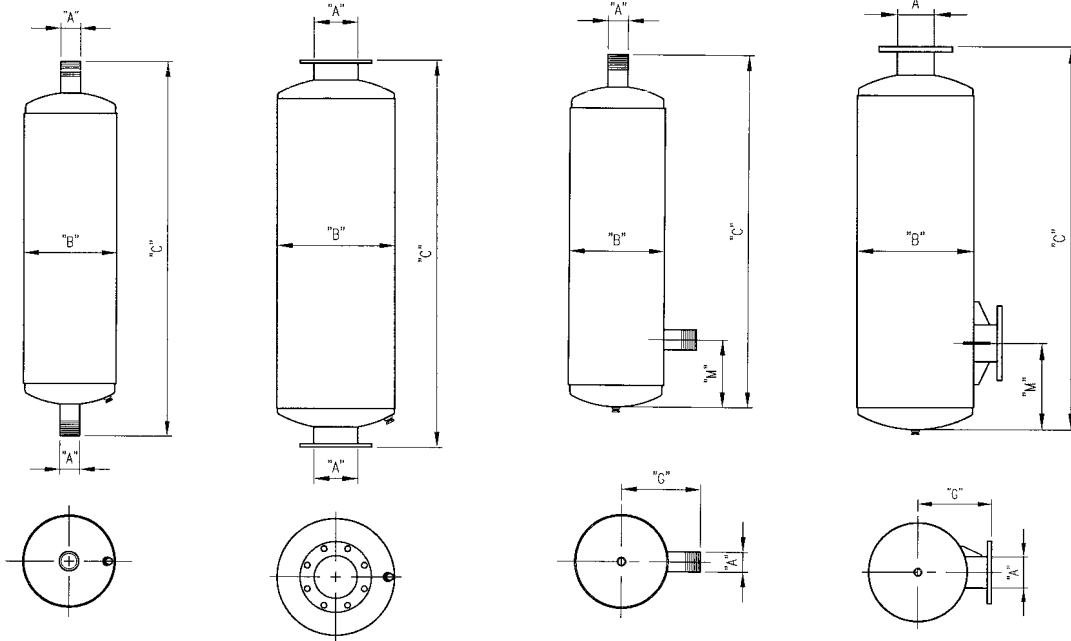
Figure 1.0

Typical Burgess-Manning reactive type silencer



Theory of Operation:

The Burgess-Manning patented principle used in the design of Burgess-Manning silencers involves passing gas flow through snubbing chambers. These snubbing chambers house an arrangement of ported tubes, which attenuate the noise to smooth, quiet flow.



BMBA
Sizes 1"
Thru 3 1/2"

BMBA
Sizes 4"
and larger

BMBA-L
Sizes 1"
Thru 3 1/2"

BMBA-L, BMBA-H
Sizes 4"
and larger

Catalog Number	Dimensions in Inches									Estimated Weight in lbs.		
	All Models		BMBA	BMBA-L		M						
	A	B	C	C	G	BMBA-L		BMBA-H		BMBA	BMBA-L	BMBA-H
						Min.	Max.	Min.	Max.			
BMBA-1	1	4 1/2	23	21	4 1/4	2	—	—	—	8	8	—
BMBA-1.5	1 1/2	6 1/2	24	21	5 1/2	4	—	—	—	12	12	—
BMBA-2	2	8	32	30	7	4	12 1/2	—	—	23	23	—
BMBA-2.5	2 1/2	10	33	31	8	4 1/2	13	—	—	32	32	—
BMBA-3	3	10	47	43	9	5	19	—	—	53	53	—
BMBA-3.5	3 1/2	12	48	44	10	5 1/2	19	—	—	65	65	—
BMBA-4	4	14	52	50	10	6	21	—	—	99	99	—
BMBA-5	5	16	59	57	11	7	24	—	—	145	145	—
BMBA-6	6	18	72	70	12	8	31	—	—	195	195	—
BMBA-8	8	22	92	89	15	10	46	47	82	470	470	465
BMBA-10	10	26	117	114	18	12	58	59	100	760	760	748
BMBA-12	12	30	130	127	21	14	58	62	106	1,200	1,200	1,158
BMBA-14	14	36	169	166	22	15	87	88	147	1,250	1,250	1,575
BMBA-16	16	42	183	179	25	17	87	89	159	1,775	1,775	2,300
BMBA-18	18	48	184	181	28	19	87	91	159	2,675	2,675	2,775
BMBA-20	20	54	192	189	31	21	92	93	165	3,150	3,150	3,300
BMBA-22	22	60	202	198	35	23	92	101	171	4,450	4,450	4,575
BMBA-24	24	60	238	234	35	24	115	116	205	5,325	5,325	5,375

Notes: - Flanges are drilled to match 125 lb. American Standard Flanges
 - Larger Units available upon request
 - Specifications subject to change without notice