



BURGESS-MANNING

Burgess-Manning, Inc., Subsidiary of Nitram Energy, Inc.

227 Thorn Avenue, Orchard Park, NY 14127

Phone: (716) 662-6540 Fax: (716) 662-6548 Website: www.burgess-manning.com

MODEL BFC - Flex Connector

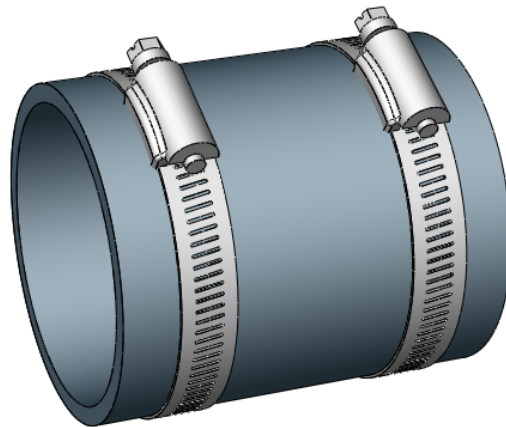
Burgess-Manning Bedplate Silencer Accessories

Description:

Burgess-Manning model BFC Flex Connectors are designed to compliment Burgess-Manning model BPDR and BPDA bedplate blower discharge silencers for easy assembly of PD blower packages. The model BFC is constructed for hot air service with heavy duty specially compounded Nitrile, has a durable heat, ozone, abrasion resistant cover, and meets SAE J2006 specifications.

Theory of Operation:

The purpose of the Burgess-Manning model BFC Flex Connector is to mechanically connect intake/discharge silencers to PD blowers. The flexibility of the model BFC helps reduce potential damage to the blower or silencers that could be caused by vibrations or misalignments. To minimize noise transmitted through the BFC, Burgess-Manning recommends a maximum gap of 1/4" between the silencer nozzle and the collar connected to the blower.



Flex Connector Model Number	Part Number	Nominal Silencer Size (inches)	Hose ID (inches)	Reinforcement	Hose Length (inches)	Operating Pressure Rating (psig)	Estimated Weight (Lbs.)
BFC-2	10-2238-000	2	2.375	2 plies	4	200 psig	2
BFC-2.5	10-2239-000	2.5	2.875	2 plies	4	200 psig	3
BFC-3	10-2240-000	3	3.500	4 plies	4	200 psig	4
BFC-4	10-2241-000	4	4.500	4 plies	5	200 psig	4
BFC-5	10-2242-000	5	5.563	6 plies	5	200 psig	5
BFC-6	10-2243-000	6	6.625	6 plies	5	200 psig	5
BFC-8	10-2257-000	8	8.625	6 plies	6	150 psig	6